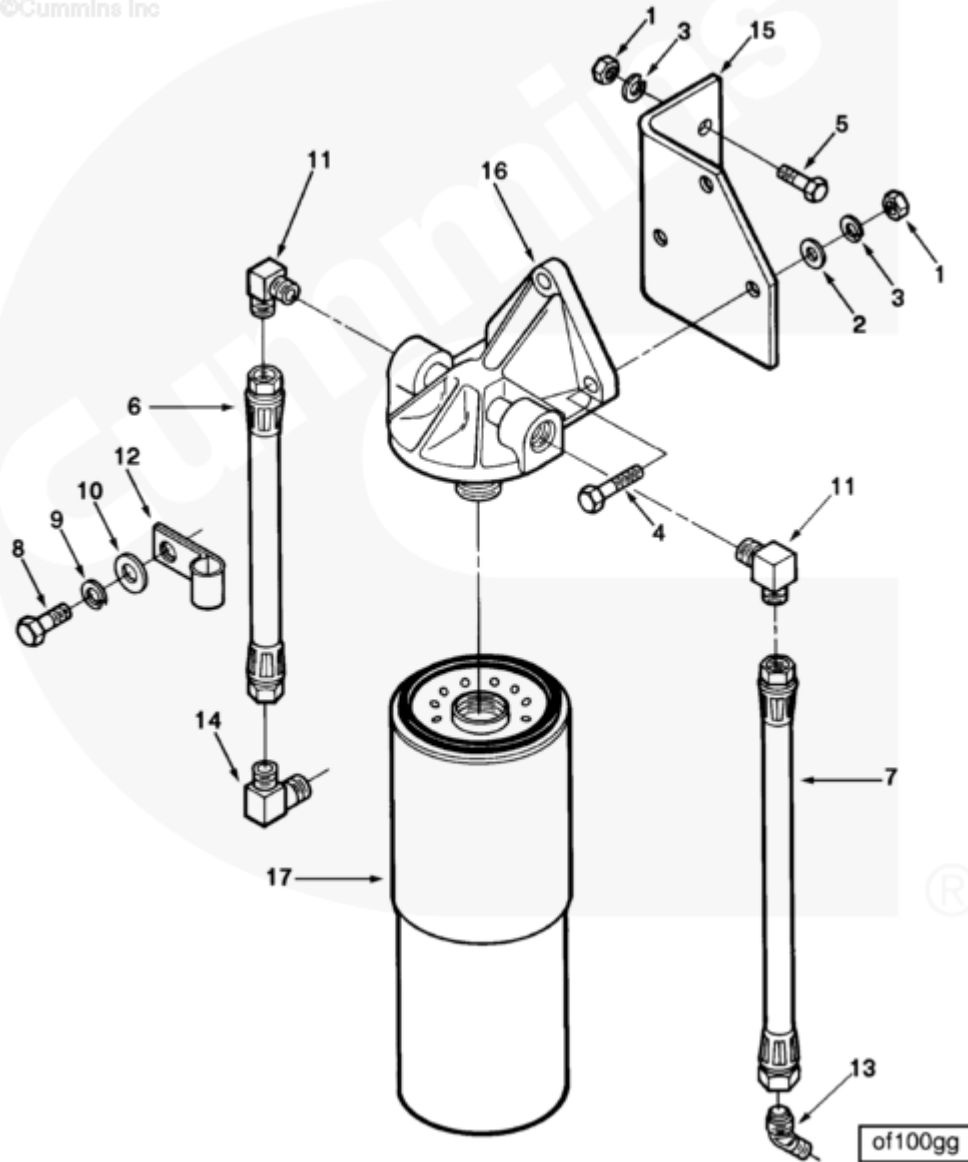




Parts Catalog - Option Detail

Electronic Parts Catalog - Option Detail				
Option	Group	Graphic	Film Card	Date
OF1037	07.03	of100gg	F	15-APR-95
Engines	NH/NT 855, NT495, NT743, NTA855 N106			

©Cummins Inc



[SMALL](#) | [MEDIUM](#) | [LARGE](#)

Cart	Ref No	Part Number	Part Description	Required	Remarks
<input type="button" value="View My Cart"/>					
		OF1037	Lubricating Oil Filter		

					Lube Oil Filter
					Spin-on bypass filter mounted
					on air cleaner bracket. Has
					aeroquip FC-234 hose for
					marine applications.
<input type="checkbox"/>	1	S 223	Heavy Hexagon Nut	5	3/8 - 16 UNC
<input type="checkbox"/>	2	S 602	Plain Washer	3	3/8 in.
<input type="checkbox"/>	3	S 604	Lock Washer	5	3/8 in.
<input type="checkbox"/>	4	108707	Hexagon Head Cap Screw	3	3/8 - 16 x 1 1/2 in.
<input type="checkbox"/>	5	S 112	Hexagon Head Cap Screw	2	3/8 - 16 X 1 in.
<input type="checkbox"/>	6	AM 6036 SS	Flexible Hose	1	
<input type="checkbox"/>	7	AM 6036 SS	Flexible Hose	1	
<input type="checkbox"/>	8	S 169	Hexagon Head Cap Screw	2	1/2 - 13 x 1 in.
<input type="checkbox"/>	9	S 608	Lock Washer	2	1/2 in.
<input type="checkbox"/>	10	S 670	Plain Washer	2	1/2 in.
<input type="checkbox"/>	11	68645	Male Adapter Elbow	2	
<input type="checkbox"/>	12	106221	Clip	2	
<input type="checkbox"/>	13	121229	Male Adapter Elbow	1	
<input type="checkbox"/>	14	144378	Male Adapter Elbow	1	
<input type="checkbox"/>	15	3044633	Filter Bracket	1	
<input type="checkbox"/>	16	3304173	Lubricating Oil Filter Head	1	
<input type="checkbox"/>	17	3889311	Oil Bypass Filter Element	1	